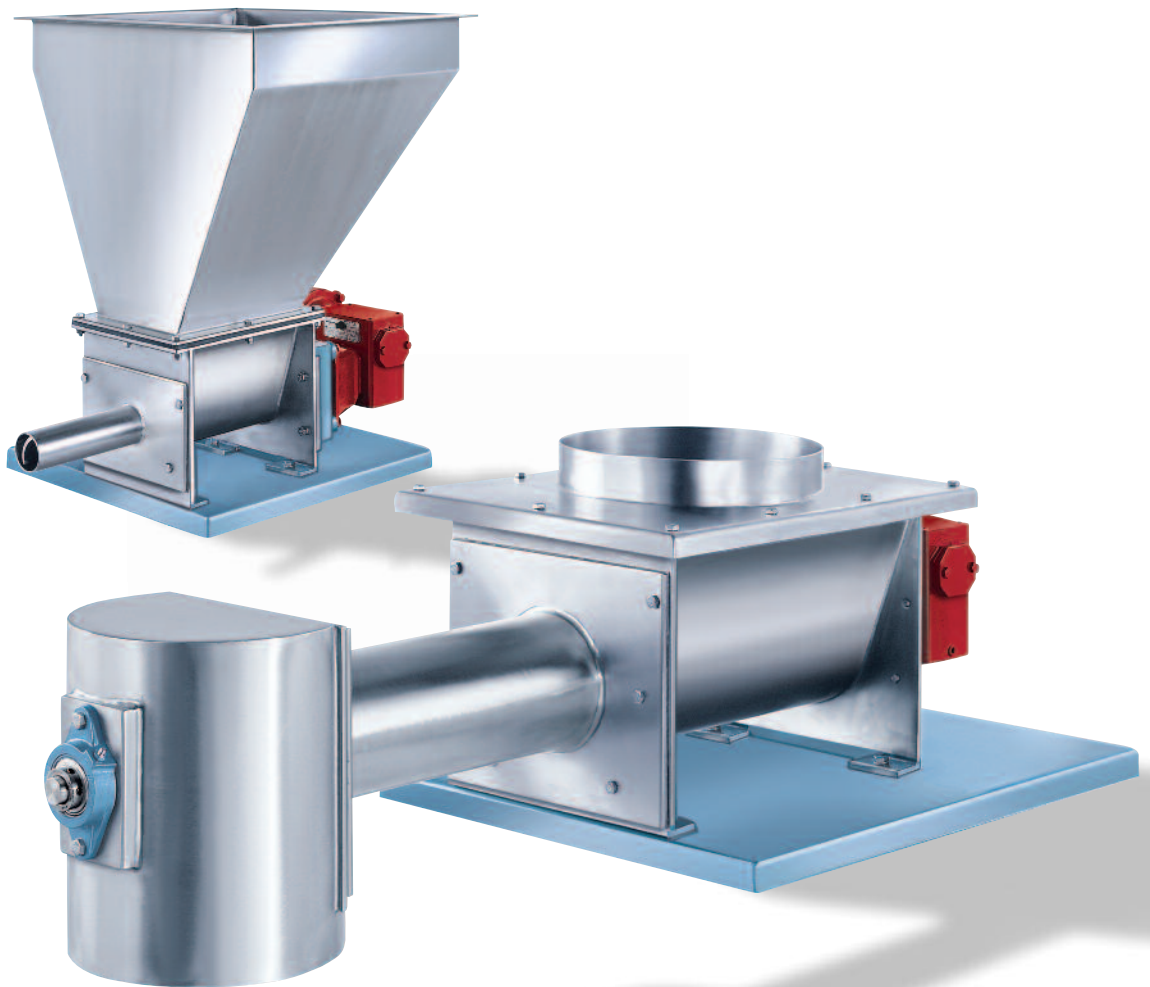


Acrison®

Volumetric Feeders Models 101 and 130



Single Auger Volumetric Feeders specifically designed to accurately and reliably meter free-flowing granulation type dry solid ingredients.

Acrison Volumetric Feeders

Model 101

Acrison's Model 101 Volumetric Feeders are heavy-duty single auger mechanisms specifically designed to accurately and reliably meter *free-flowing dry solid ingredients that are typically granular in nature, and not hygroscopic, pressure sensitive or cohesive*. Feed rates range from a fraction of a cubic foot upwards to 202 cubic feet per hour.

Standard Features

- All 304 stainless steel product contact surfaces, including the feeder's drive shaft and seal components. The metering auger is 316 stainless steel.
- Easy cleanout construction (self-emptying).
- The metering auger threads onto its drive shaft.
- Metering augers are interchangeable on the individual feeder models.
- Dust-tight construction.
- Totally enclosed motor.
- Silent when operating.
- Temperature: Ambient . . . - 20 to 140 degrees F.
Product . . . - 20 to 200 degrees F.

Model 101-0

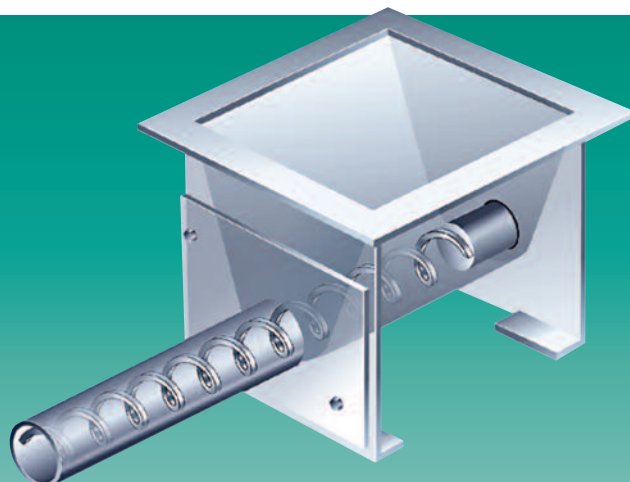
- Feed rates range from 0.0012 to 29 cubic feet per hour in the utilization of different size metering augers.
- Furnished with a one cubic foot supply hopper, flanged feed chamber, or flanged feed chamber with a cover having a circular inlet up to 6 inches in diameter.
- Powered by a 1/2 HP, totally enclosed, variable speed AC or DC gearmotor with a 10:1, 20:1, 30:1 or 50:1 speed range.

Model 101-1

- Feed rates range from 0.84 to 202 cubic feet per hour in the utilization of different size metering augers.
- Furnished with a one cubic foot supply hopper, flanged feed chamber, or flanged feed chamber with a cover having a circular inlet up to 9 inches in diameter.
- Powered by a 3/4 HP, totally enclosed, variable speed AC or DC gearmotor with a 10:1, 20:1, 30:1 or 50:1 speed range.

Optional and Accessory Equipment for Model 101 Feeders

- Various materials of construction.
- Various size integral supply hoppers.
- Variable speed AC or DC motor controllers and control modes.
- Quick disconnect construction for ease of cleanout.
- Sanitary construction to satisfy USDA and FDA requirements (includes quick disconnect construction).
- High temperature construction (product).
- Pressure construction.



MODEL 101-0 FEEDER CAPACITY CHART
(Capacities shown in cubic feet per hour)

Model Size	Minimum Output		Maximum Output
	30:1 Speed Range	50:1 Speed Range	
101-0-A	0.002	0.0012	0.06
101-0-B	0.005	0.003	0.15
101-0-BC	0.0127	0.0076	0.38
101-0-BB	0.018	0.0108	0.54
101-0-C	0.03	0.018	0.9
101-0-CC	0.047	0.028	1.4
101-0-D	0.08	0.048	2.4
101-0-DD	0.14	0.084	4.2
101-0-E	0.2	0.12	6
101-0-EE	0.29	0.174	8.7
101-0-EF	0.38	0.23	11.4
101-0-F	0.47	0.28	14
101-0-FF	0.63	0.38	19
101-0-G	0.97	0.58	29

MODEL 101-1 FEEDER CAPACITY CHART
(Capacities shown in cubic feet per hour)

Model Size	Minimum Output		Maximum Output
	30:1 Speed Range	50:1 Speed Range	
101-1-GG	1.4	0.84	42
101-1-H	1.7	1.02	51
101-1-HH	2.4	1.4	72
101-1-K	3.2	1.9	96
101-1-KK	3.9	2.4	118
101-1-M	5.3	3.2	160
101-1-N	6.7	4.0	202

Capacities

The Capacity Charts indicate the typical output range for each standard size metering auger available with the specific Model 101 Feeder.

Since the physical properties of the actual product being metered often have an effect upon the exact output, the stated capacities could vary.

Volumetric metering accuracies generally range between ± 1 to 2 percent or better (error) for the majority of products. Accuracy is based on a given number of consecutive one minute samples.

Acrison Volumetric Feeders

Model 130

Acrison's Model 130 Volumetric Feeders are heavy-duty single auger mechanisms specifically designed to accurately and reliably meter *free-flowing dry solid ingredients that are typically granular in nature, and not hygroscopic, pressure sensitive or cohesive*. Feed rates range from 5 to 3400 cubic feet per hour.

Standard Features

- Easy cleanout construction (self-emptying).
- Drive shaft and seal components are 304 SS.
- The metering auger threads onto its drive shaft.
- Metering augers and discharge cylinders are interchangeable on the *individual* feeder models.
- Dust-tight construction.
- Totally enclosed motor.
- Silent when operating.
- Temperature: Ambient . . . - 20 to 140 degrees F.
Product . . . - 20 to 200 degrees F.

Model 130-0

- Feed rates range from 4.8 to 600 cubic feet per hour in the utilization of different size metering augers.
- Available in mild steel, 304 and 316 stainless steel. The metering auger is constructed of the same material as that of the feeder.
- Furnished with a flanged feed chamber, or a flanged feed chamber with a cover having a circular inlet up to 12 inches in diameter.
- Powered by a 1 HP, totally enclosed, variable speed AC or DC gearmotor with a 10:1, 20:1, 30:1 or 50:1 speed range.

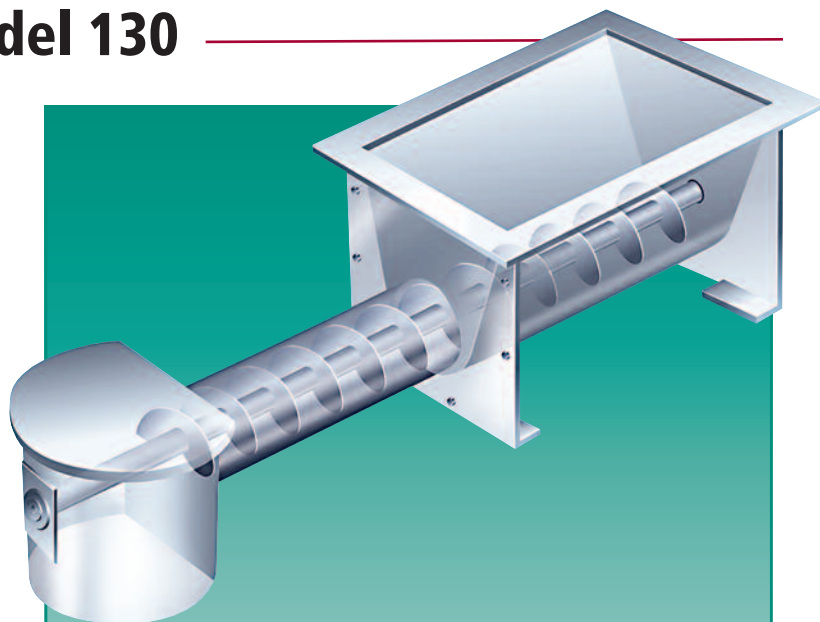
Model 130-1

- Feed rates range from 18 to 1800 cubic feet per hour in the utilization of different size metering augers.
- Available in mild steel, 304 and 316 stainless steel. The metering auger is constructed of the same material as that of the feeder.
- Furnished with a flanged feed chamber, or a flanged feed chamber with a cover having a circular inlet up to 15 inches in diameter.
- Powered by a 2 HP, totally enclosed, variable speed AC or DC gearmotor with a 10:1, 20:1, 30:1 or 50:1 speed range.

Model 130-2

- Feed rates range from 36 to 3400 cubic feet per hour in the utilization of different size metering augers.
- Product contact surfaces are available in mild steel, 304 and 316 stainless steel. The metering auger is constructed of the same material as that of the feeder.
- Furnished with a flanged feed chamber, or a flanged feed chamber with a cover having a circular inlet up to 18 inches in diameter.
- Powered by a 3 HP, totally enclosed, variable speed AC or DC gearmotor with a 10:1, 20:1, 30:1 or 50:1 speed range.

Volumetric metering accuracies generally range between ±1 to 2 percent or better (error) for the majority of products. Accuracy is based on a given number of consecutive one minute samples.



MODEL 130-0 FEEDER CAPACITY CHART

(Capacities shown in cubic feet per hour)

Model Size	Minimum Output		Maximum Output
	30:1 Speed Range	50:1 Speed Range	
130-0-NN	8	4.8	240
130-0-P	11	6.4	320
130-0-R	20	12	600

MODEL 130-1 FEEDER CAPACITY CHART

(Capacities shown in cubic feet per hour)

Model Size	Minimum Output		Maximum Output
	30:1 Speed Range	50:1 Speed Range	
130-1-S	30	18	900
130-1-T	40	24	1200

MODEL 130-2 FEEDER CAPACITY CHART

(Capacities shown in cubic feet per hour)

Model Size	Minimum Output		Maximum Output
	30:1 Speed Range	50:1 Speed Range	
130-2-U	60	36	1800
130-2-V	80	48	2400
130-2-W	113	68	3400

Optional and Accessory Equipment for Model 130 Feeders

- Various materials of construction.
- Various size integral supply hoppers.
- Variable speed AC or DC motor controllers and control modes.
- Quick disconnect construction for ease of cleanout (certain model sizes).
- Sanitary construction to satisfy USDA and FDA requirements.
- High temperature construction (product).
- Pressure construction.

Capacities

The Capacity Charts indicate the typical output range for each standard size metering auger available with the specific Model 130 Feeder.

Since the physical properties of the actual product being metered often have an effect upon the exact output, the stated capacities could vary.

Discover the difference!

We cordially invite you to witness a test in Acrison's state-of-the-art Customer Demonstration Facilities handling your actual product(s) with the specific equipment we recommend for the application. Usually, there is no cost or obligation for this service.

Discover the difference in technology, quality and performance of Acrison equipment.



Empire Boulevard Facility
Moonachie, NJ USA

Acrison products...

- Models 101 and 130 Volumetric Feeder Series
- Models V-101 and V-130 Volumetric Feeders
- Model 1015 Volumetric Feeder Series
- Model 105 Volumetric Feeder Series
- Model W-105 Volumetric Feeder Series
- Model 120 Volumetric Feeder
- Model 140 Volumetric Feeder Series
- Model 170 Volumetric Feeder Series
- Model 905-18 Volumetric Feeder
- Bin Discharger Feeders
- Model 200 Weigh Belt Feeder Series
- Model 203B Weigh Auger Feeder Series
- Model 270 In-Line Weigh Feeder Series
- Models 402 and 404 Series, 405, 406, 407X, 408 and 410 'Weight-Loss' Weigh Feeders
- Model Series 403 'Weight-Loss' Weigh Feeders
- Model 403B(D) Batch/Dump Weighing Systems
- Model 404BZ(BU) Bulk Bag Unloader Batch Weigher
- Models 350 and 301 Continuous Blenders and Blending Systems
- Multiple Auger Bin Dischargers and Multiple Auger Bin Discharger Hoppering Systems
- Vibratory Bin Discharger Hoppering Systems
- Model 170-BD-30 Bin Discharger
- Model 800 Series Bulk Bag Unloaders
- Models 500, 515, 530, and 580 Polyelectrolyte Preparation Systems
- Water and Waste Water Treatment Systems
- Volumetric and Gravimetric Feeder Controllers and Control Systems
- Silo Systems
- Accessory Equipment for Acrison Products
- Systems Engineering



Joseph Street Facility
Moonachie, NJ USA

"Visibly Different... Measurably Better"

Acrison[®], Inc.

20 Empire Blvd., Moonachie, NJ 07074

201-440-8300 • Fax: 201-440-4939

Toll Free: 800-4ACRISON

Email: informail@acrison.com

www.acrison.com